

190-993-190 50" Mowing Deck (1994)  
Mowing Deck

Page 2 of 5

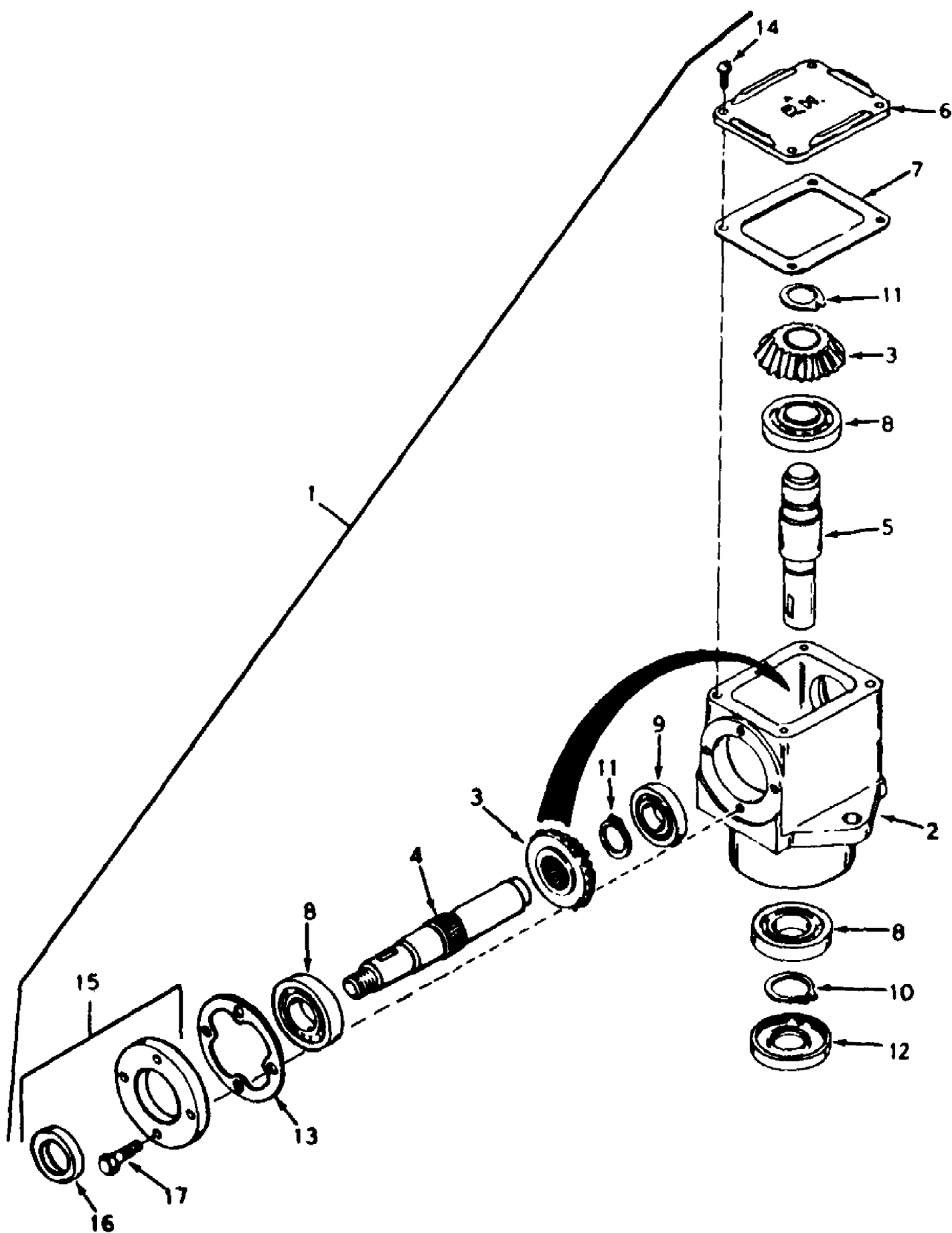
Ref #	Part Number	Qty	S/P/F	Description
1	710-0352	10 Req'd.	/P	Hex 8-Tap Scr. 1/4-20 x .38" Lg. (10 Req'd.)
2	12651	1		Belt Cover
3	710-0342	1	S	Hex Bolt 3/8-16 x 1.25" Lg.
4	736-0148	1		Ext. L-Wash. 3/8" I.D.
5		1		Right Angle Drive
6	714-0126	1	S	#9 Hi-Pro Key 3/16 x 3/4" Dia.
7	736-0181	1		FI-Wash. 29/32" I.D.
8	710-0756	1	F	Hex Bolt 3/8-16 x 2.25" Lg.
9	736-0300	1	S	FI-Wash. 3/8" I.D.
10	710-0357	1		Sq. Hd. Set Scr. 3/8-16 x .50"
11	756-0519	1	/P	Deck Pulley
12	717-0401	1		Universal Drive Shaft Ass'y.
	717-0439	1		Universal Drive Male Half
	717-0440	1		Universal Drive Female Half
13	711-0306	1	/P	Deck Idler Pulley
14	12564	1		Hanger Lock
15	747-0160	1		Release Pin
16	711-0310	1	S	Clevis Pin .50" Dia.
17	712-0158	1	S	Hex L-Nut 5/16-18 Thd.
18	12648	1		Rear Deck Hanger Brkt.
19	13705	1		Gear Box Mounting Brkt. Ass'y.
20	711-0598	1		Idler Adapter
21	736-0169	1	S/F	L-Wash. 3/8" I.D.
22	750-0776	1	S	Spacer .33" I.D. x .88" O.D.
23	12640	1		Deck Ass'y.
24	12646	1	S	Front Deck Hanger Brkt.
25	712-0267	1	S/F	Hex Nut 5/16-18 Thd.
26	736-0119	1	S/F	L-Wash. 5/16" I.D.
27	710-0451	1	/P/F	Carriage Bolt 5/16-18 x .75" Lg.
28	714-0101	1	S	Internal Cotter Pin
29	12650	1		Height Adjuster
30	736-0188	1	/P	FI-Wash. .75" I.D. x 1.5" O.D.
31	750-0212	1	S	Spacer .758" I.D. x 1.25" O.D. x .530
32	750-0288	1	S	Spacer Tube
33	731-0335	1		Roller
34	738-0295	1		Roller Shaft
35	715-0246	1	S	Roll Pin 3/16 x 1.25"
36	736-0119	1	S/F	L-Wash. 5/16" I.D.
37	712-0237	1	S	Hex Cent. L-Nut 5/16-24 Thd.
38	710-0180	1	/P	Hex Self-Tap Scr. 3/8-24 x .75" Lg.
39	736-0217	1	S	L-Wash. 3/8" I.D. H.D.
40	710-0888	1	/P	Hex Bolt 5/16-24 x 1" Lg.
41	742-0171	1	S	Blade 17"
42	736-0119	1	S/F	L-Wash. 5/16" I.D.
43	712-0237	1	S	Hex L-Nut 5/16-24 Thd.
?44	736-0141	1	S	Spr. Wash. .445" I.D.
45	736-0176	1	S	FI-Wash. 1/4" I.D.
46	738-0150	1	S	Shld. Scr. .625" Dia. x .96"
47	710-0262	1	/P	Carriage Bolt 5/16-18 x 1.5" Lg.
48	712-0798	1	/P/F	Hex Nut 3/8-16 Thd.
49	736-0169	1	S/F	L-Wash. 3/8" I.D.
50	712-0290	1	/P	Hex L-Nut 7/16-14 Thd.
52	09489			Roller Brkt.

190-993-190 50" Mowing Deck (1994)  
Mowing Deck

Page 3 of 5

Ref #	Part Number	Qty	S/P/F	Description
55	738-0163	1		Shld. Bolt .625" Dia. x .26"
56	710-0672	1	/P	Hex Bolt 5/16-24 x 1.5" Lg. (Grade 5)
58	710-0451	1	/P/F	Carriage Bolt 5/16-18 x .75" Lg.
59	12649	1		Chute Guard
60	736-0119	1	S/F	L-Wash. 5/16" I.D.
61	712-0267	1	S/F	Hex Nut 5/16-18 Thd.
62	710-0559	1		Hex Bolt 1/4-28 x 1-3/4" Lg.
63	732-0180	1	S	Extension Spring
64	736-0119	1	S/F	L-Wash. 5/16" I.D.
65	712-0267	1	S/F	Hex Nut 5/16-18 Thd.
66	738-0296	1	S	Shld. Bolt
67	715-0129	1		Roll Pin 1/8" Dia.
69	732-0306	1	S	Compression Spring
70	712-0923	1	/P	Hex L-Nut 5/8-18 Thd.
71	736-0158	1	S/F	L-Wash. 5/8" I.D.
75	754-0197	1	S	"V"-Belt
76	756-0632	1	/P	Drive Pulley
77	712-0318	1	/P	Hex L-Nut 1/4-28 Thd.
80	715-0108	1	/P	Spring Pin Spiral 1/4" Dia. 1.00" Lg.
81	736-0105	1	/P	Bell-Wash. 3/8" I.D. x .87" O.D.
82	736-0329	1	S/F	L-Wash. 1/4" I.D.
83	712-0318	1	/P	Hex Jam Nut 5/8-18 Thd.
84	736-0158	1	S/F	L-Wash. 5/8" I.D.
86	08253B	1	/P	Bearing Housing
87	741-0919	1	S	Ball Bearing
88	14199A	1		Deck Spindle Ass'y.
89	738-0469B	1	S	Spindle
90	13703	1		Bearing Shield
91	748-0235	1	/P	Blade Adapter
92	750-0456	1	S	Spacer
93	14088B	1	S	Spindle Spacer Plate
95	14249A	1		Spindle Reinforcement Plate
96	15296A	1	/P	Open Bearing Housing

190-993-190 50" Mowing Deck (1994)  
Right Angle Drive Box (Peerless)



190-993-190 50" Mowing Deck (1994)  
Right Angle Drive Box (Peerless)

Page 5 of 5

Ref #	Part Number	Qty	S/P/F	Description
1	PE-794111	1		Head Ass'y. R.H. Incl. Nos. 2 thru 15
2	PE-770026	1		Housing, Right Angle Drive
3	PE-778046	1		Gear, Miter
4	PE-776149	1		Shaft, input
5	PE-776129	1		Shaft, Output
6	PE-772034	1		Cover, Right Hand
7	PE-788028	1		Gasket, Cover
8	PE-780034	1		Bearing, Ball
9	PE-780024	1		Bearing, Ball
10	PE-788019	1		Ring, Snap
11	PE-788018	1		Ring, Snap
12	PE-788029	1		Seal, Oil
13	PE-788030	1		Gasket, Cap
14	PE-792025	1		Screw, Rd. Hd. Self-Tap. 10-24 x 1/2
15	PE-786029	1		Cap & Seal Ass'y., Retainer Incl. Nos. 16 & 17
16	PE-788031	1		Seal, Oil
17	PE-792026	1		Screw, Hex Hd. 1/4-20 x 7/8